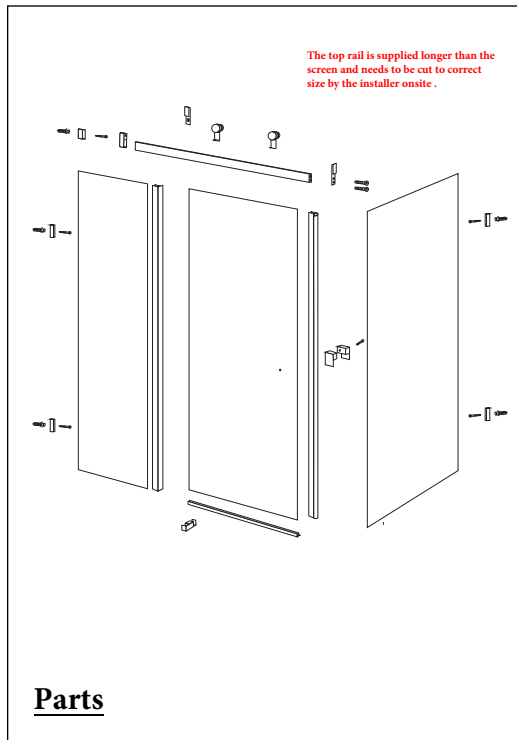
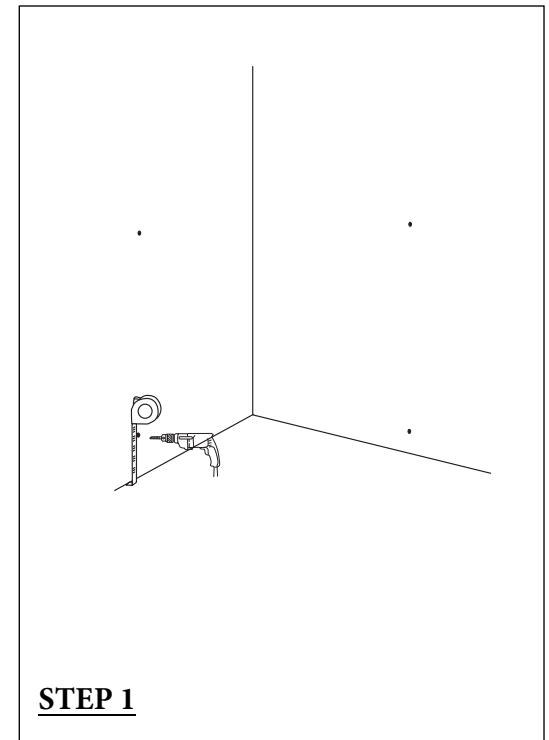


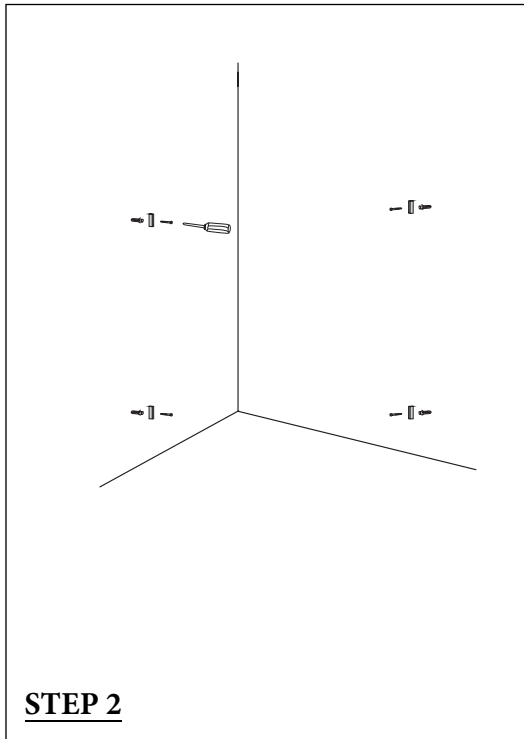
Bella Vista - Sliding Shower
Instructions



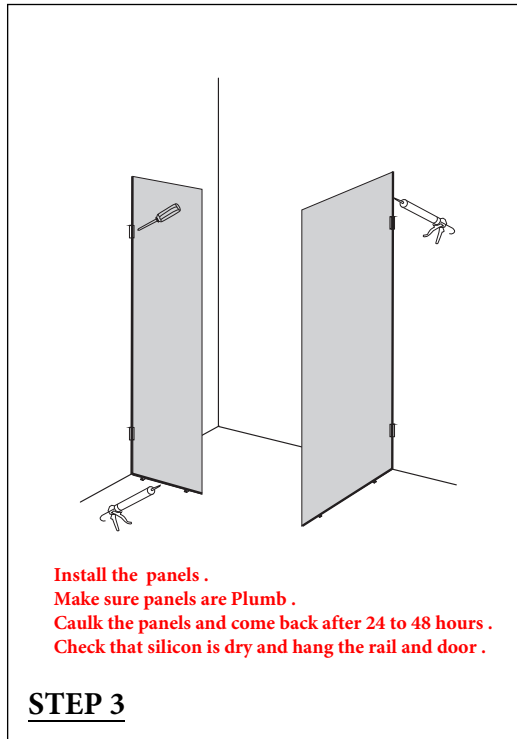
Parts



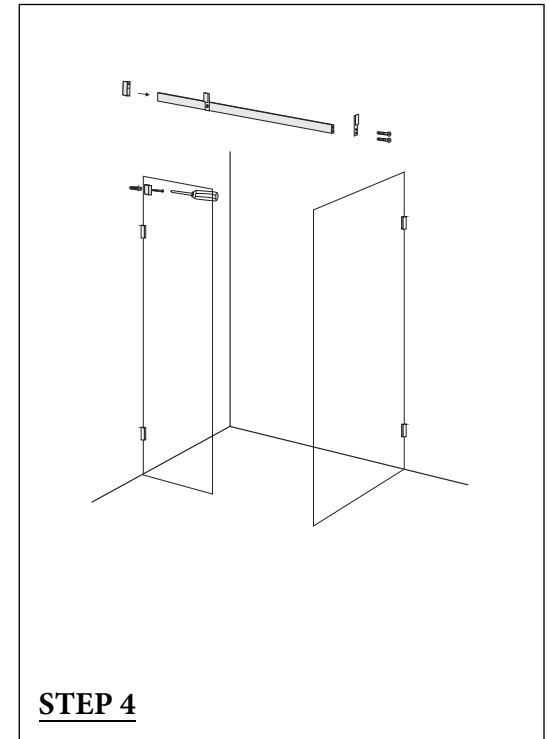
STEP 1



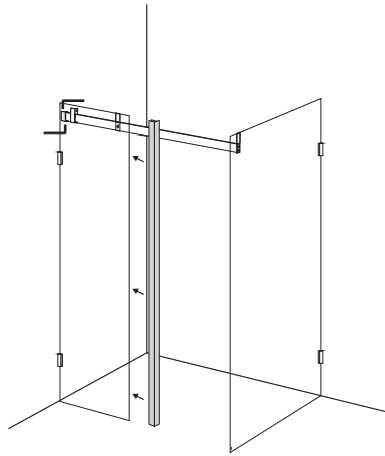
STEP 2



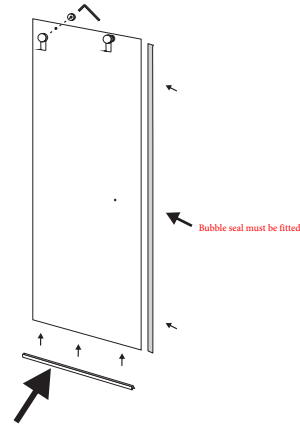
STEP 3



STEP 4

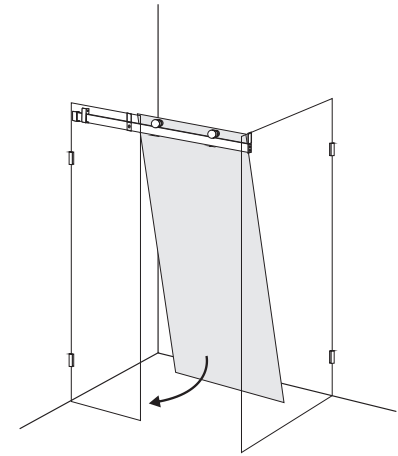


STEP 5

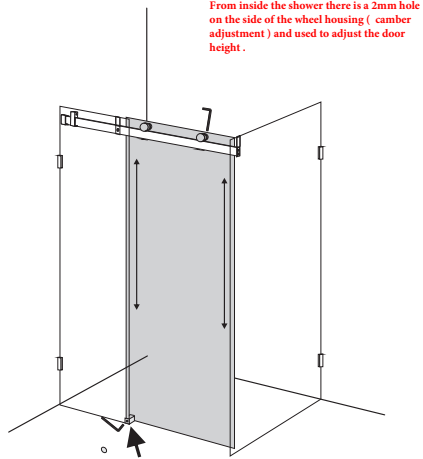


Lower door seal is NOT required in most cases unless Floor does not have the correct fall or the shower head is in a position that is facing the door gaps .

STEP 6



STEP 7



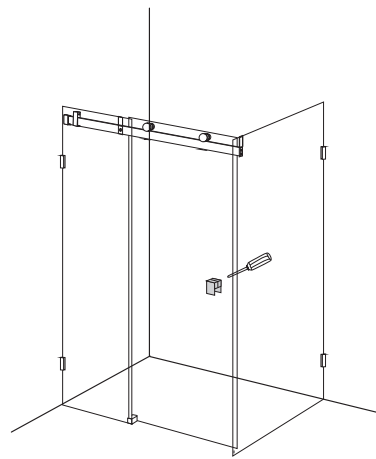
From inside the shower there is a 2mm hole on the side of the wheel housing (camber adjustment) and used to adjust the door height .

put Silicon under the floor guide first .

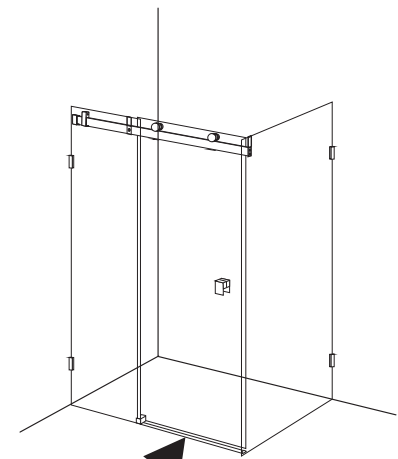
Just nip up the screw of the floor guide onto the glass .

Do Not Overtighten , the screw is there to hold it untill the silicon underneath it is dry .

STEP 8



STEP 9



Aluminum floor strip required in some situations if Floor doesnt not have the correct fall .

Completed Product