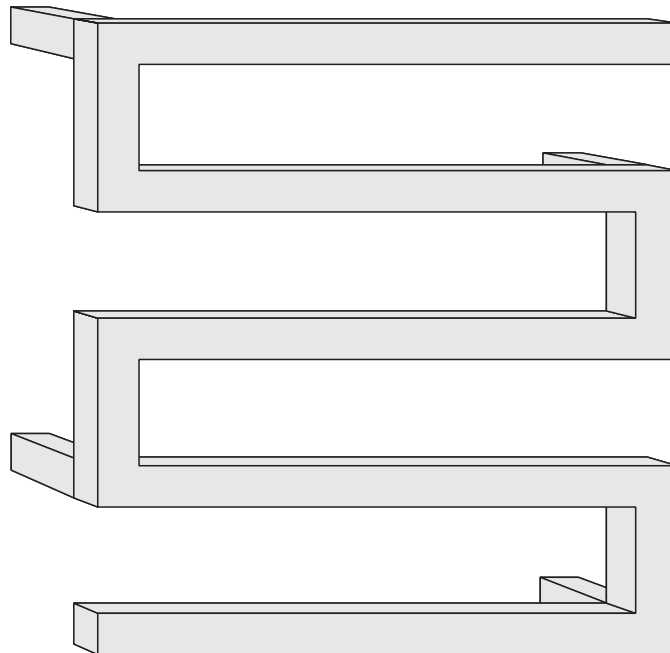
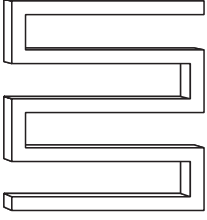
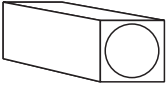
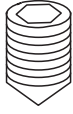
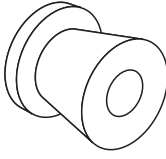
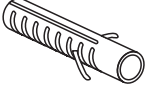
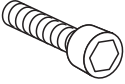
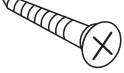

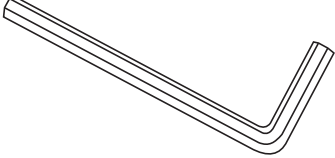


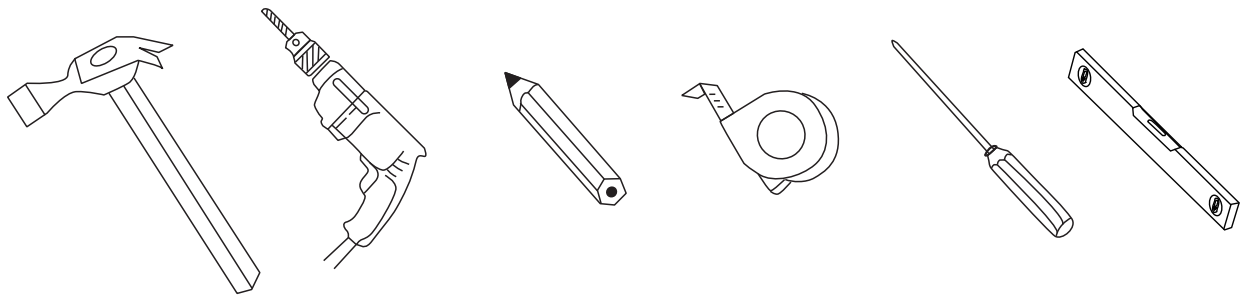
**Item:TL-STP**



**Installation instructions**

# Parts

 x1	 x4	 x4	 x4	 x4
 x4	 x4	 x1	 x1	

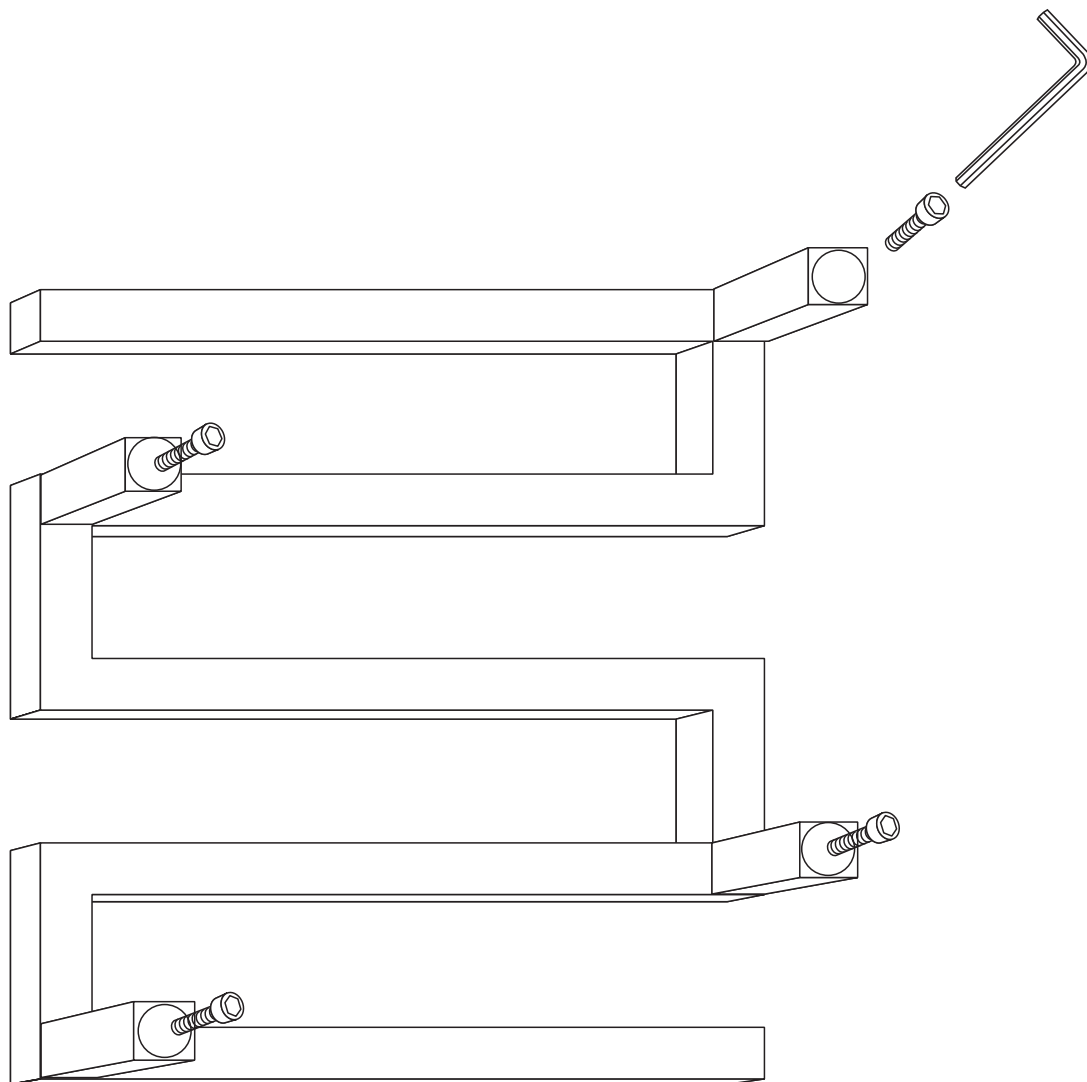


**TOOLS NEEDED**

# Step 1

**BELLA VISTA**

**Connect legs to the towel ladder**



**Installation instructions**

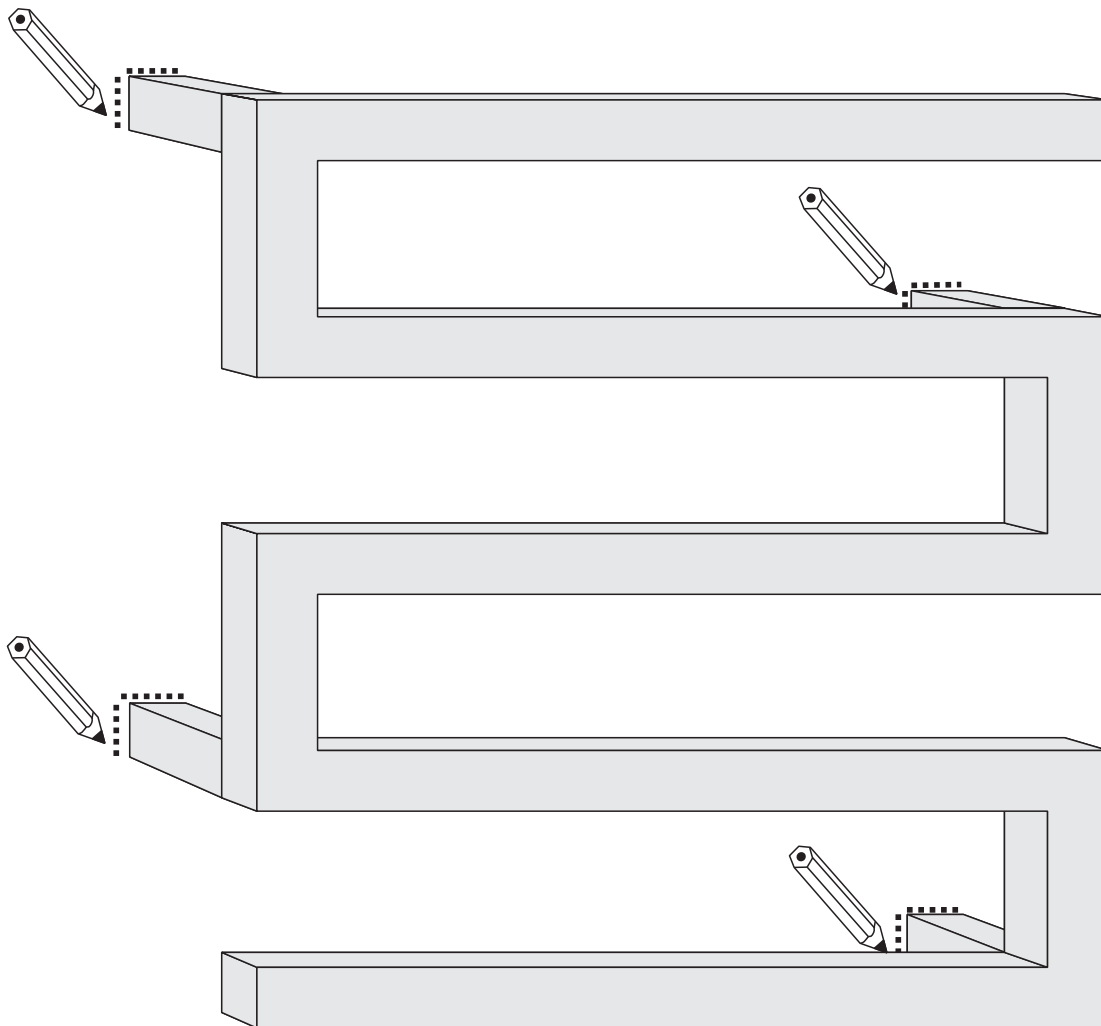
# Step 2

**BELLA VISTA**

**Put towel ladder against the wall and using a pencil mark out hole position.**

**Important Notice:**

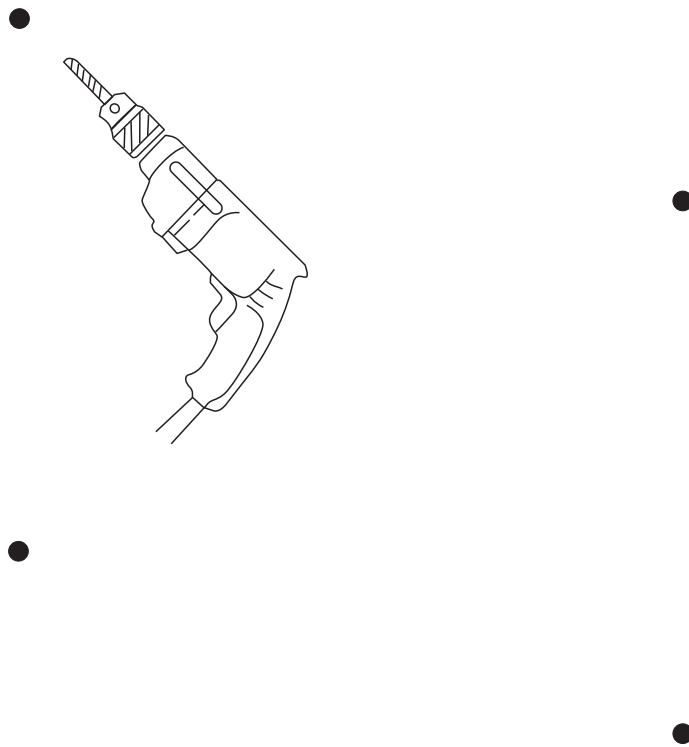
Before you mark the tile make sure the tiles are not stainable and the pencil mark can be cleaned off, if unsure test an off cut of the same tile for staining.



# Step 3



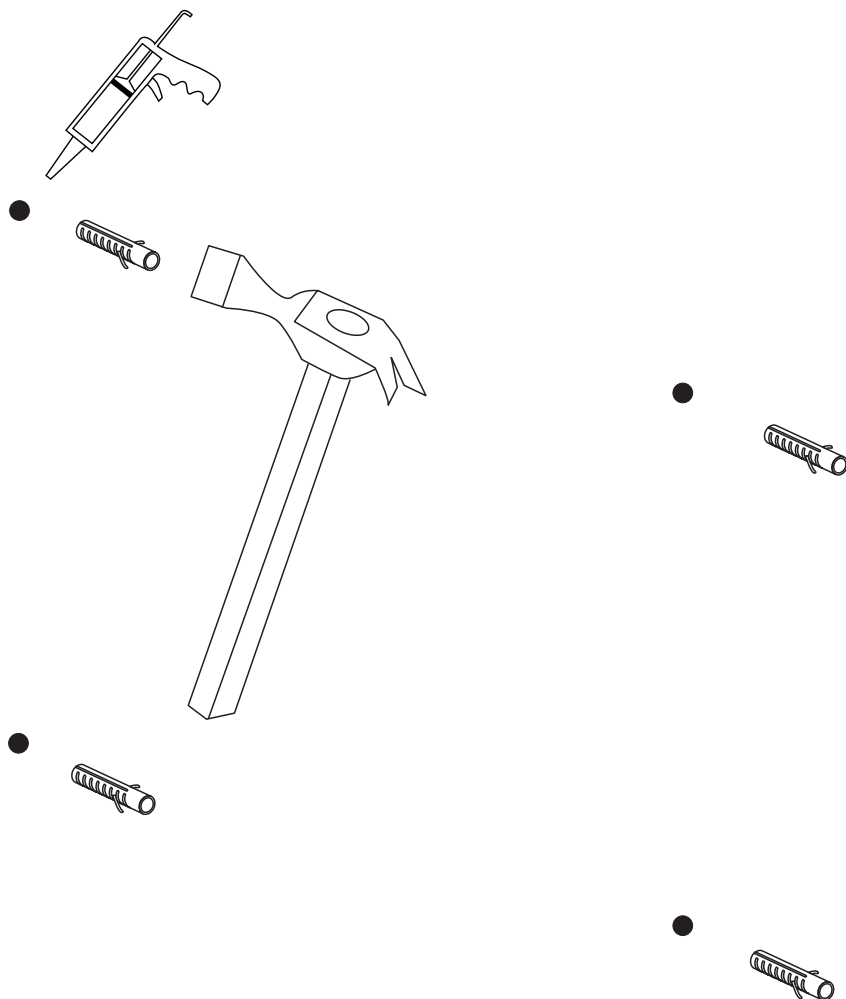
Drill holes for the legs



# Step 4

**BELLA VISTA**

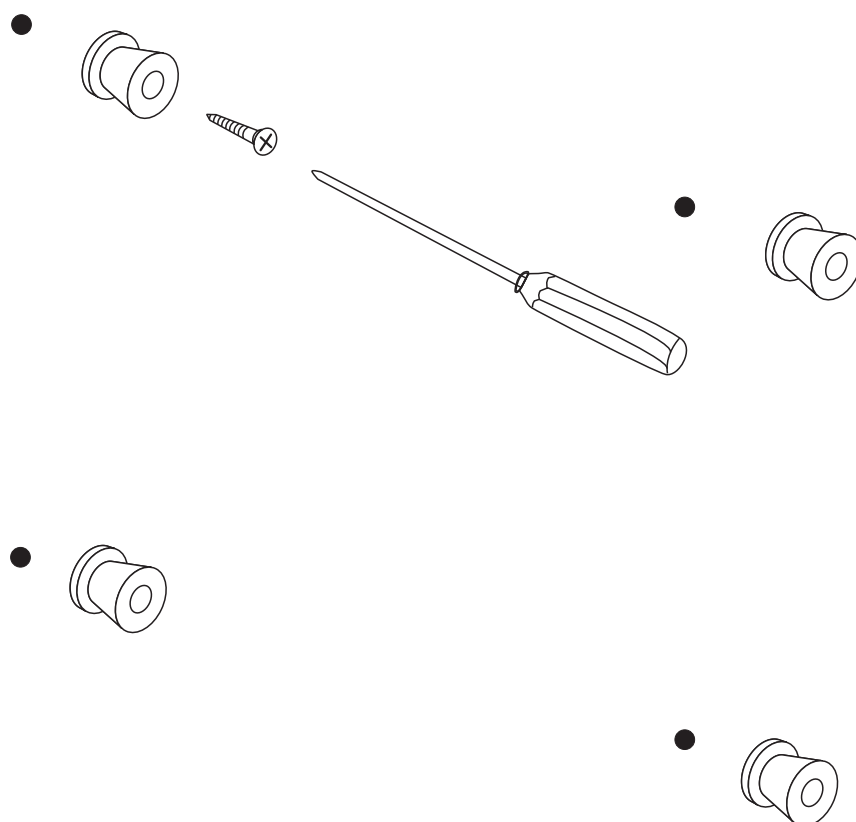
Put silicon in the holes and tap plugs in



# Step 5



Screw the wall mount spaces into the wall



# Step 6



Push towel ladder onto the wall mount spacers and tighter using Allan Key

