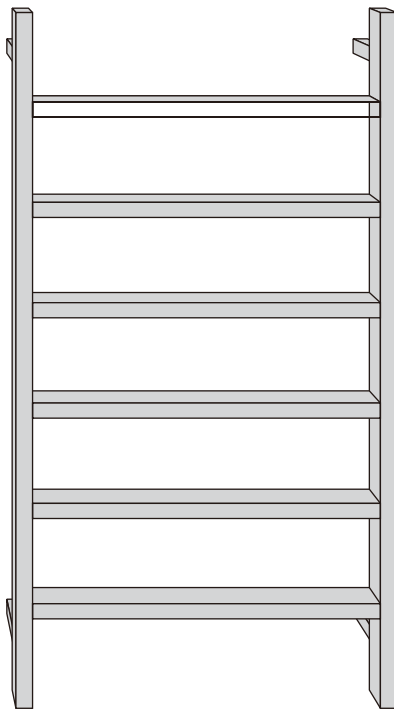
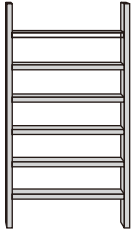
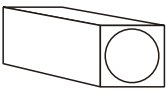
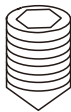
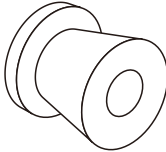
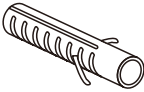
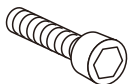
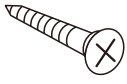
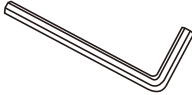
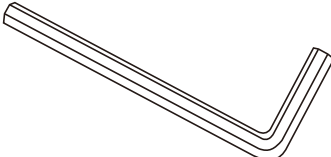


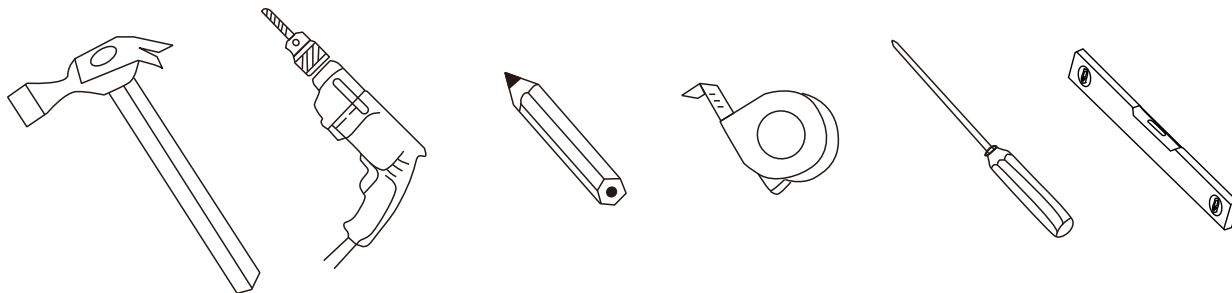
Item:TL-7050-SQ



Installation instructions

Parts

				
x1	x4	x4	x4	x4
				
x4	x4	x1	x1	

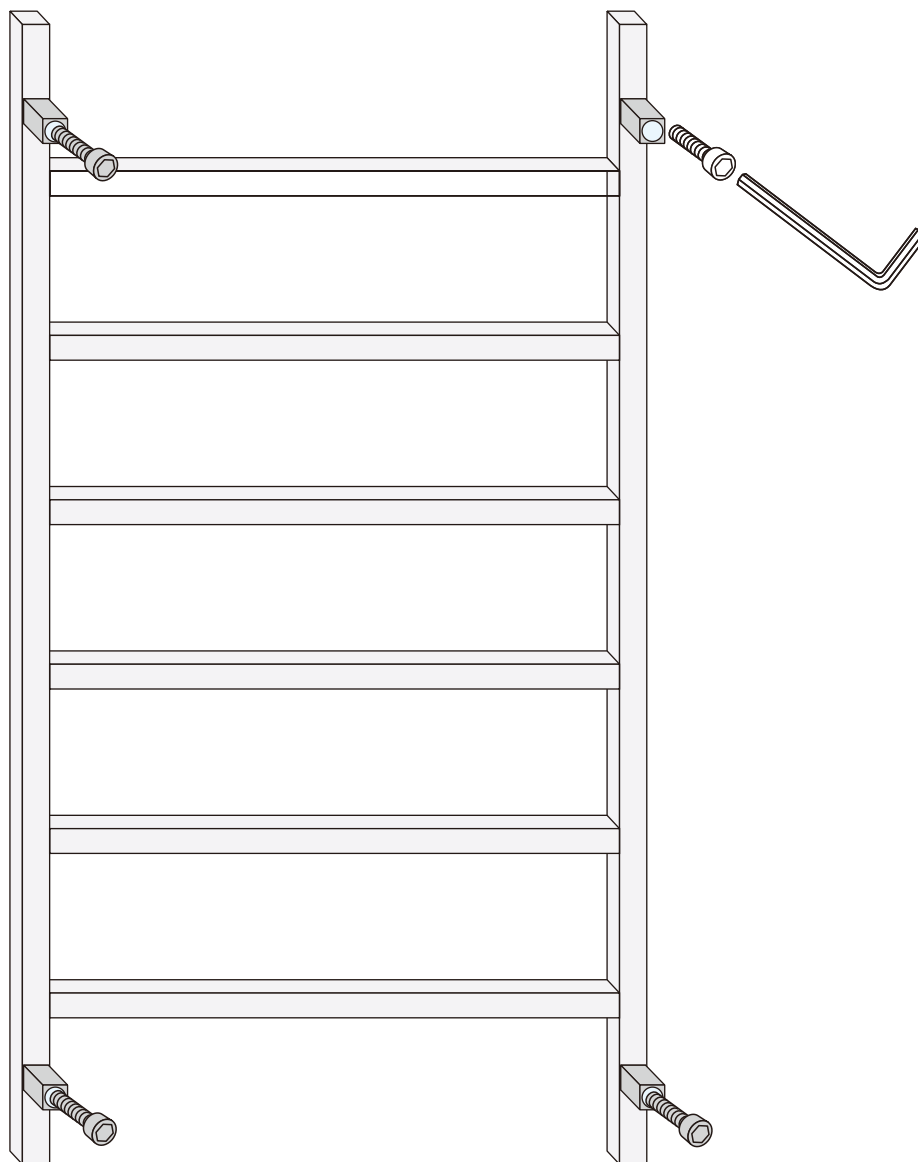


TOOLS NEEDED

Step 1

BELLA VISTA

Connect legs to the towel ladder



Installation instructions

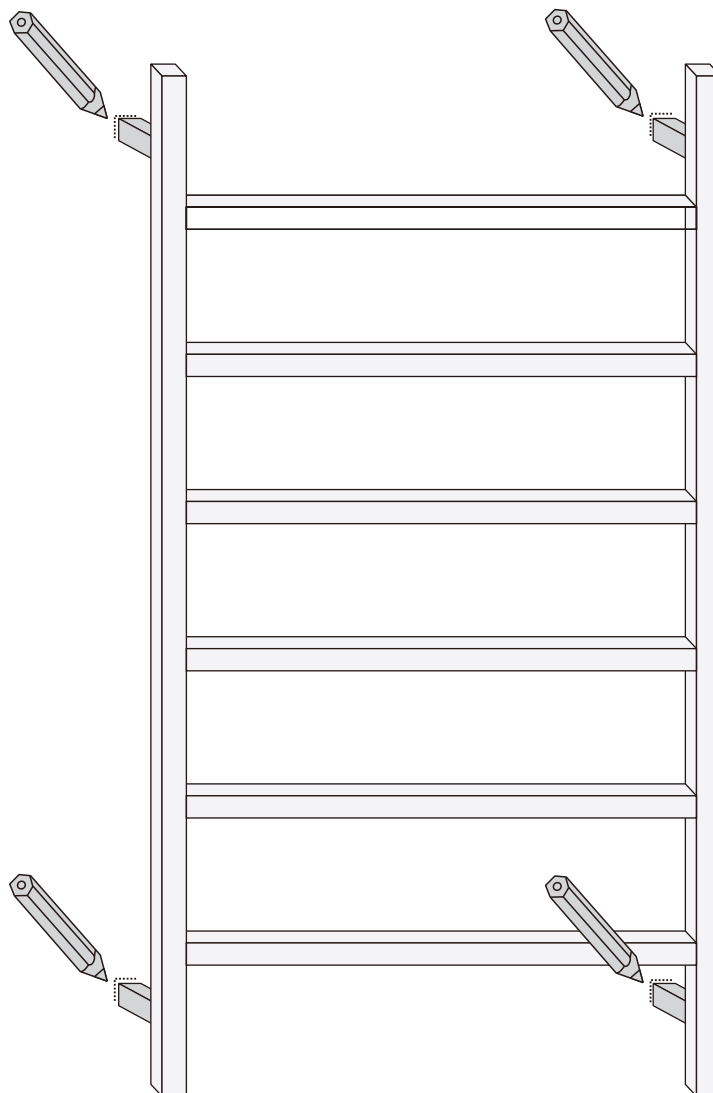
Step 2

BELLA VISTA

Put towel ladder against the wall and using a pencil mark out hole position.

Important Notice:

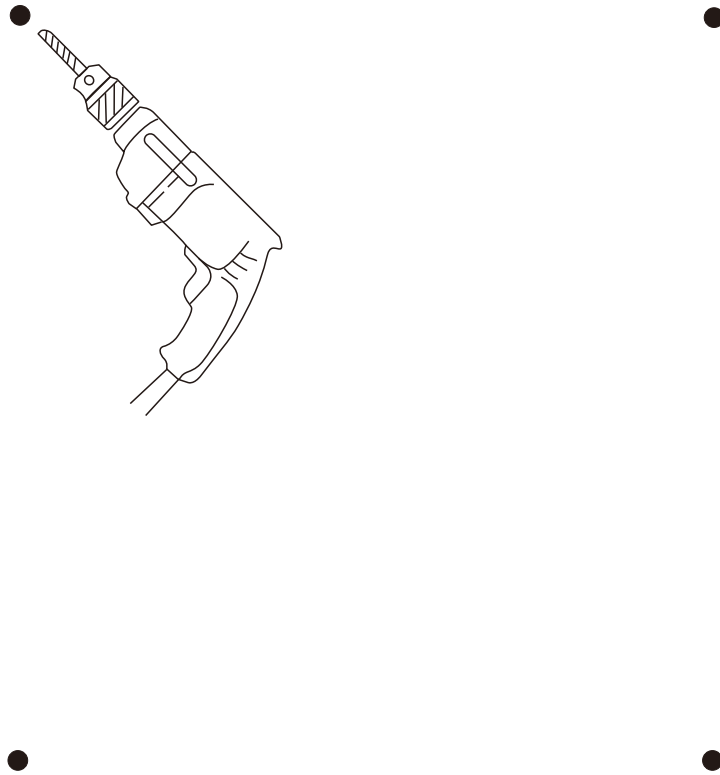
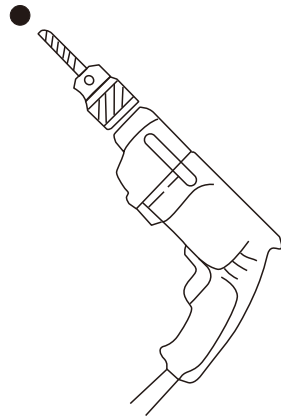
Before you mark the tile make sure the tiles are not stainable and the pencil mark can be cleaned off, if unsure test an off cut of the same tile for staining.



Step 3



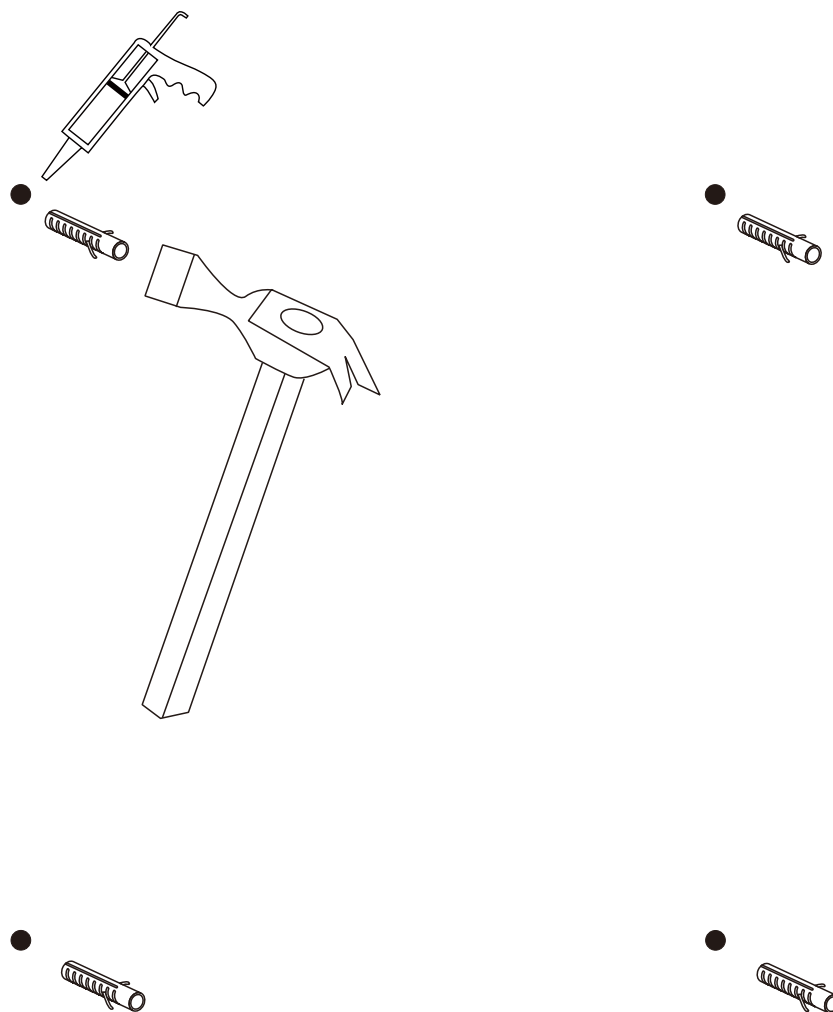
Drill holes for the legs



Step 4



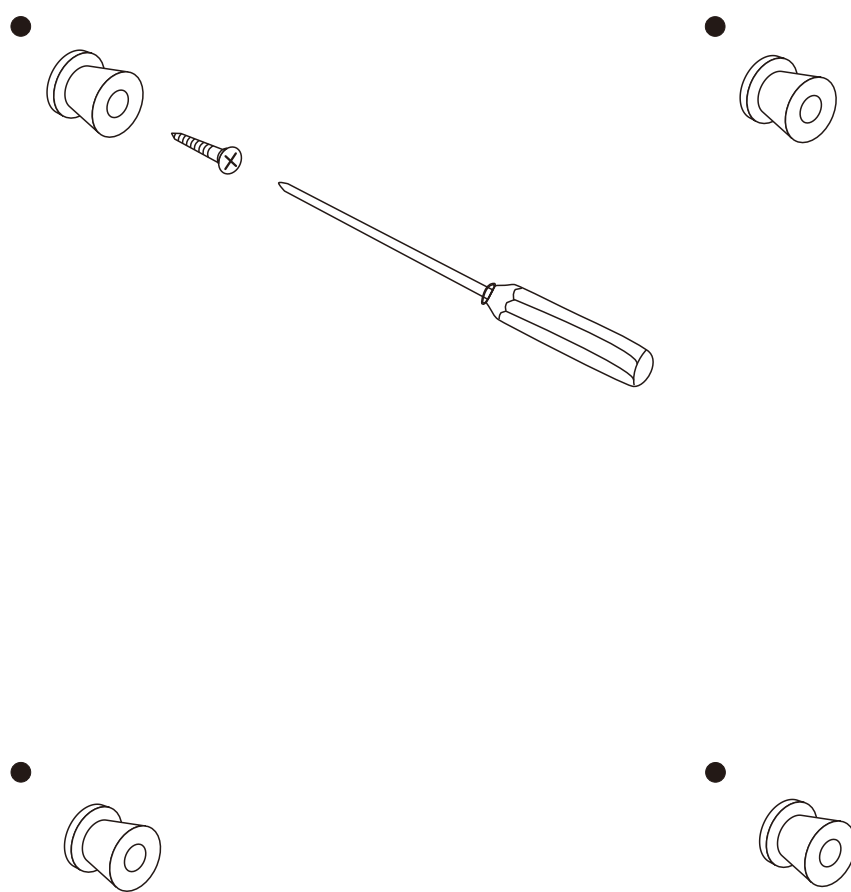
Put silicon in the holes and tap plugs in



Step 5



Screw the wall mount spaces into the wall



Step 6

BELLA VISTA

Push towel ladder onto the wall mount spacers and tighter using Allan Key

