

TAPWARE TERMS AND CONDITIONS

THIS WARRANTY AND ITS WRITTEN TERMS ARE BACKED AND SERVICED BY BELLA VISTA BATHWARE

WARRANTY AND INSTALLATION INFORMATION: MIXERS & SHOWER HEADS

GENERAL INFORMATION

Please read the information below before beginning installation:

- The pipes where the product is being installed must be FLUSHED clean before installation begins.
- The water pressure must be tested.
- If the water pressure EXCEEDS 500KPA, an approved pressure reducing valve must be fitted.
- Always fit ISOLATING TAPS to the hot and cold inlet connections in accordance with national plumbing code AS3500.
- Ensure the hoses are NOT twisted, stretched, under tension or bent to a radius less than 25mm when being installed.
- If the water temperature EXCEEDS 80 DEGREES CELCIUS, an approved water tempering valve must be fitted.
- This product is manufactured from DR Brass (Dezincification Resistant Brass) and this ensures your drinking water is NOT contaminated by leaching of toxic metals.

****FAILURE TO COMPLY WITH ALL OF THE ABOVE INSTRUCTIONS WILL VOID ALL WARRANTY CLAIMS****

INSTALLATION INSTRUCTIONS

- Ensure all pipes and hoses have been FLUSHED.
- Fit the flexible INLET HOSES.
- Ensure the BLUE BRAIDED HOSE is connected to the RIGHT-HAND side of the tap.
- Ensure the RED BRAIDED HOSE is connected to the LEFT-HAND side of the tap.
- Position hoses THROUGH the hole in the surface.
- Place horseshoe fixing CLAMP and washer to the UNDERSIDE of the surface.
- Fit THREADED STUDS through the clamp to the tap body and TIGHTEN firmly.
- CONNECT the hoses to the isolating stop taps or similar valves (if previously fitted).
- TURN ON isolating stop taps and check for leaks.

**** PLEASE NOTE THIS PRODUCT IS TO BE INSTALLED BY A QUALIFIED TRADESPERSON. TO MAKE A WARRANTY CLAIM, THE DETAILS OF THE INSTALLER MUST BE PROVIDED****

CARE INSTRUCTIONS

To ensure the longest life possible for your product, please ADHERE to the following:

- Chrome plated surfaces must be cleaned with a SOFT CLOTH using mild soapy water.
- NEVER use any abrasive or acid-based cleaning agents.
- If these cleaning instructions are ignored, the product will NOT be covered by warranty.

WARRANTY INFORMATION

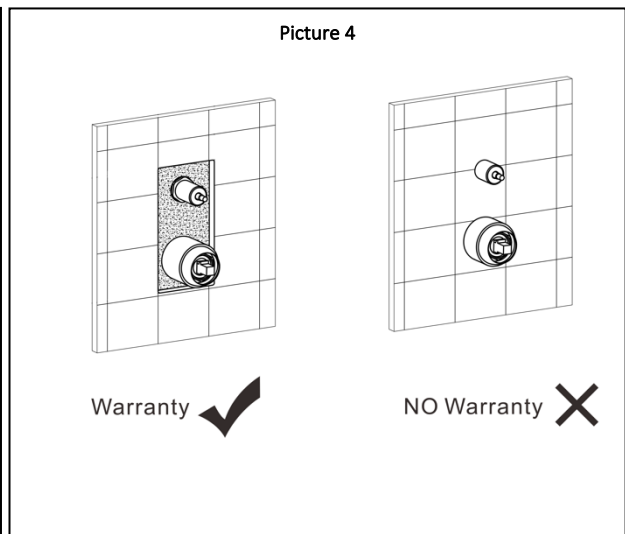
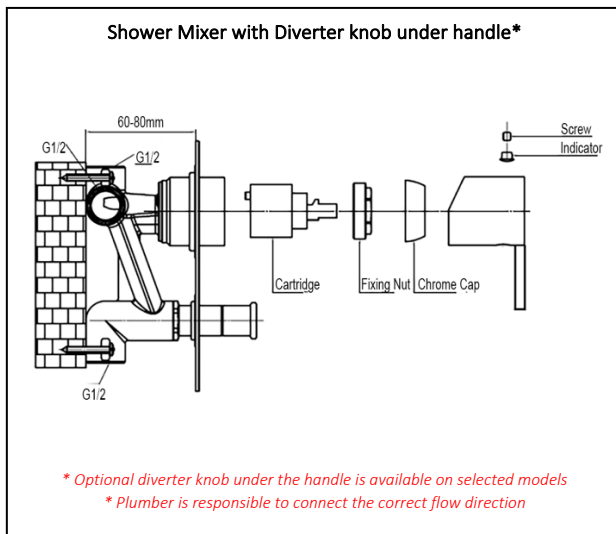
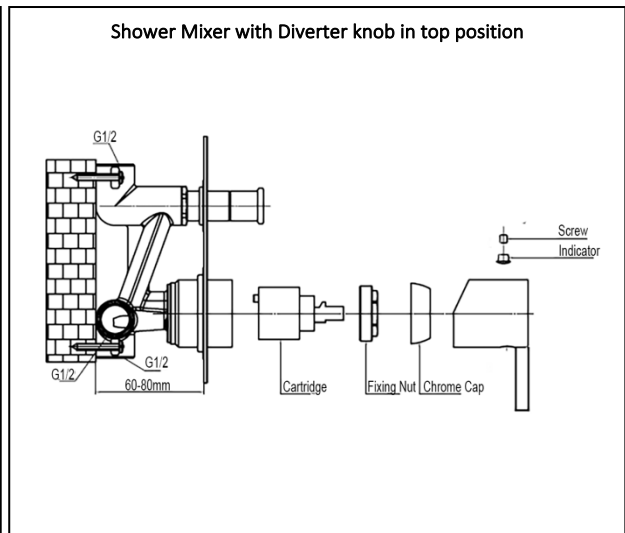
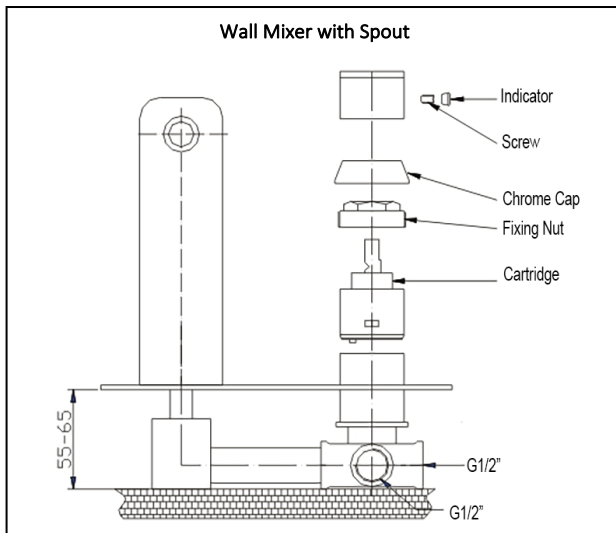
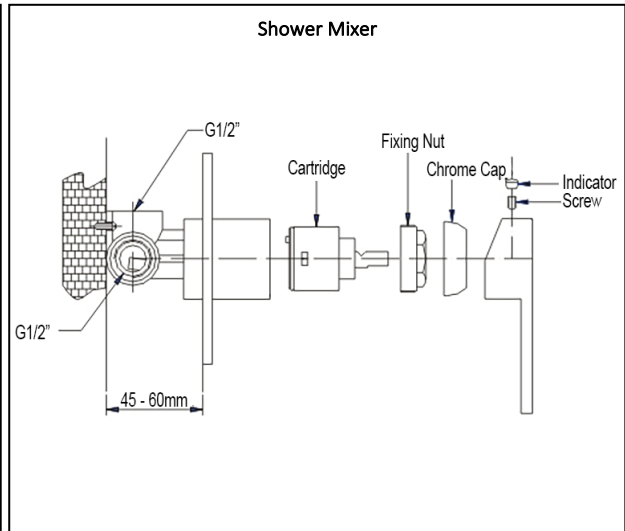
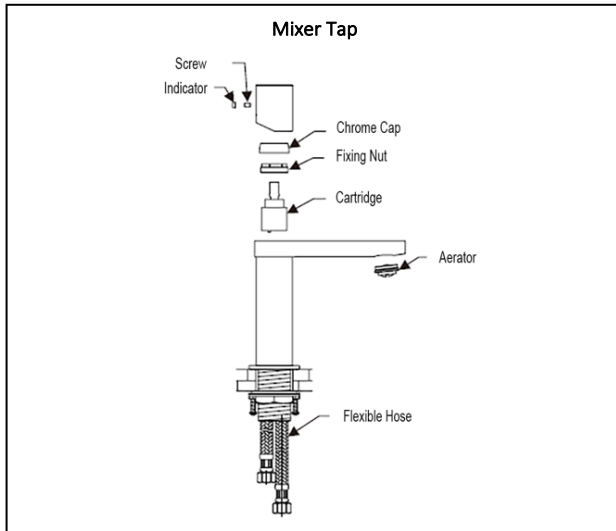
PRODUCT	WARRANTY TERM
MIXERS (Including): <ul style="list-style-type: none"> ✓ Sink Mixers ✓ Shower Mixers ✓ Basin Mixers ✓ Mixer Spout Combo ✓ Wall mount Bath Spouts 	<ul style="list-style-type: none"> • <u>15 YEARS</u> for parts and labour on ceramic disc cartridges (<i>Bella Vista branded products</i>) • <u>25 YEARS</u> for parts and labour on ceramic disc cartridges (<i>Pradus branded products</i>) • <u>5 YEARS</u> for replacement parts or product • <u>2 YEARS</u> for parts and labour on surface/Coatings <p>Does NOT include:</p> <ul style="list-style-type: none"> • Parts subject to wear and tear (i.e., Jumper valves, washers and O-rings) • Scratches or Chemical Damage
FLOOR STANDING MIXERS & SPOUTS:	<ul style="list-style-type: none"> • <u>15 YEARS</u> for parts and labour on ceramic disc cartridges (<i>Bella Vista branded products</i>) • <u>25 YEARS</u> for parts and labour on ceramic disc cartridges (<i>Pradus branded products</i>) • <u>2 YEARS</u> for parts and labour on surface/Coatings <p>Does NOT include:</p> <ul style="list-style-type: none"> • Parts subject to wear and tear (i.e., Jumper valves, washers and O-rings) • Scratches or Chemical Damage
SPINDLES:	<ul style="list-style-type: none"> • <u>15 YEARS</u> for parts and labour on ceramic disc cartridges (<i>Bella Vista branded products</i>) • <u>25 YEARS</u> for parts and labour on ceramic disc cartridges (<i>Pradus branded products</i>) • <u>2 YEARS</u> for parts and labour on surface/Coatings <p>Does NOT include:</p> <ul style="list-style-type: none"> • Parts subject to wear and tear (i.e., Jumper valves, washers and O-rings) • Scratches or Chemical Damage
SHOWERS/BATH OUTLETS/ACCESSORIES (Including): <ul style="list-style-type: none"> ✓ Shower arms ✓ Shower rails ✓ Shower rail slider ✓ Shower hoses ✓ Multi-function rails ✓ Shower head ✓ Shower head multi-function 	<p>*NO LABOUR INCLUDED IN WARRANTY*</p> <ul style="list-style-type: none"> • <u>15 YEARS</u> for replacement parts or product (Shower Arms) • <u>15 YEARS</u> for replacement parts or product. (Shower rails) • <u>2 YEARS</u> for replacement only (Shower rail slider) • <u>5 YEARS</u> for replacement parts or product (Shower hoses) • <u>LIFETIME</u> for replacement parts or product (Shower heads) • <u>5 YEARS</u> for replacement parts or product (Shower heads multi-function) • <u>2 YEARS</u> for parts and labour (multi-function rails) • <u>2 YEARS</u> for parts and labour on surface/Coatings <p>Does NOT include:</p> <ul style="list-style-type: none"> • Parts subject to wear and tear (i.e., Jumper valves, washers and O-rings) • Scratches or Chemical Damage
SPARE PARTS (Including): <ul style="list-style-type: none"> ✓ Pop-up Wastes ✓ Floor Grates ✓ All Others 	<p>*NO LABOUR INCLUDED IN WARRANTY*</p> <ul style="list-style-type: none"> • <u>1 YEAR</u> for replacement parts (Pop-up wastes) • <u>25 YEARS</u> for structural replacement parts (Floor grates) • <u>1 YEAR</u> for replacement parts (All others) <p>Does NOT include:</p> <ul style="list-style-type: none"> • Parts subject to wear and tear (i.e., Jumper valves, washers and O-rings) • Scratches or Chemical Damage

NOTE: Onsite service call is only offered where stated in this document. Unless stated otherwise, it only applies to parts.
Tapware fitted to tank or bore water will only be applicable for 12-month warranty and only applicable if water filter fitted prior to water entry to house. Minimum requirement is Carbon Water filter to be fitted by registered plumber

Bella Vista Bathware assures the purchaser that this product is free from faulty workmanship and materials. The warranty will ONLY apply if this product used for its intended purpose. If the product fails to function at an acceptable level within 12 MONTHS from date of purchase, please return the product to the original place of purchase. To receive a replacement product, you must provide ORIGINAL PROOF OF PURCHASE. The faulty product will be replaced with the EXACT PRODUCT or product of an EQUIVALENT VALUE. Bella Vista Bathware offers this warranty separately from any warranties implied under the Trade Practices Act. This product replacement warranty does not seek to limit any rights that a consumer may exercise under the Trade Practices Act or complimentary state-based legislation.

The warranty will **NOT** apply if:

- The product has been damaged through misuse, neglect or accident;
- The product has not been used in accordance to any applicable instruction guide;
- The purchaser has attempted to modify or repair the product;
- The product has not been installed by a Registered Plumber (Proof of plumber's installation and certificate must be provided).



WARRANTY CARD

The warranty period commences from the date of the purchase. Please note it excludes damage to ceramic disc cartridges from pieces of copper tube, sand, dirt, stones or thread tape. "Our goods come with guarantees that cannot be excluded under the Australian Consumer Law.

You are entitled to a replacement or refund for a major failure and for compensation for any other reasonably foreseeable loss or damage. You are also entitled to have the goods repaired or replaced if the goods fail to be of acceptable quality and the failure does not amount to a major failure."

This Warranty is void if:

- No stop taps are installed.
- Products have been damaged by improper use
- Products not installed by a licensed plumber
- Products exposed to water pressure and or temperatures that exceed our stated limitations 500 KPA.
- Item connected to Tank or Bore water without and appropriate carbon filter installed at water entry point by a licensed plumber.
- Inability to provide receipt of purchase

Recommended Care Warning:

- ✓ Clean on regular basis only with mild soap and water and dry with a soft cloth
- ✓ Do not use abrasive cleaners or harsh detergents

****Failure to comply with these cleaning instructions may make your warranty void****

Please complete the form below and return within 60 days.

Purchaser

NAME: _____

ADDRESS: _____

Ph: _____ Email: _____

Product Model Number: _____

Installed By: _____

Registered Plumber License No: _____

Registered Plumber KPA meter reading _____

Plumbing Certificate No: _____

(Copy of certificate must be attached)

Please send to:

45a Metrolink Circuit West, Campbellfield, VIC 3061.

Fax : (03) 9445-9362