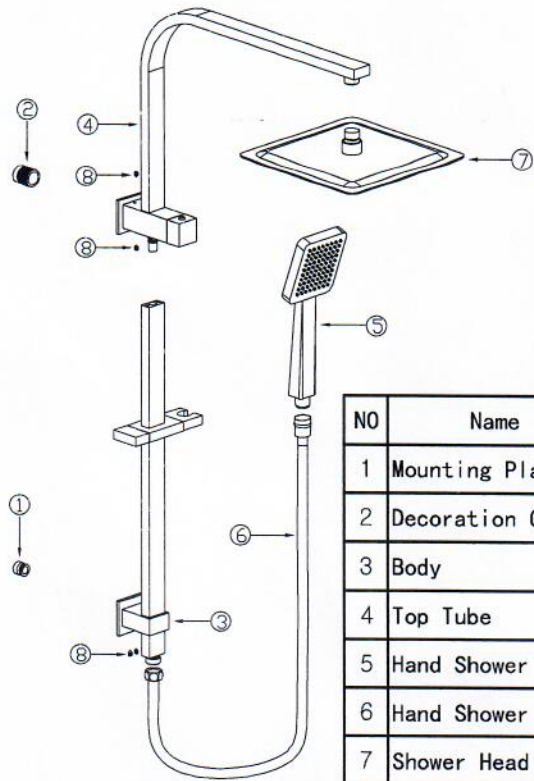
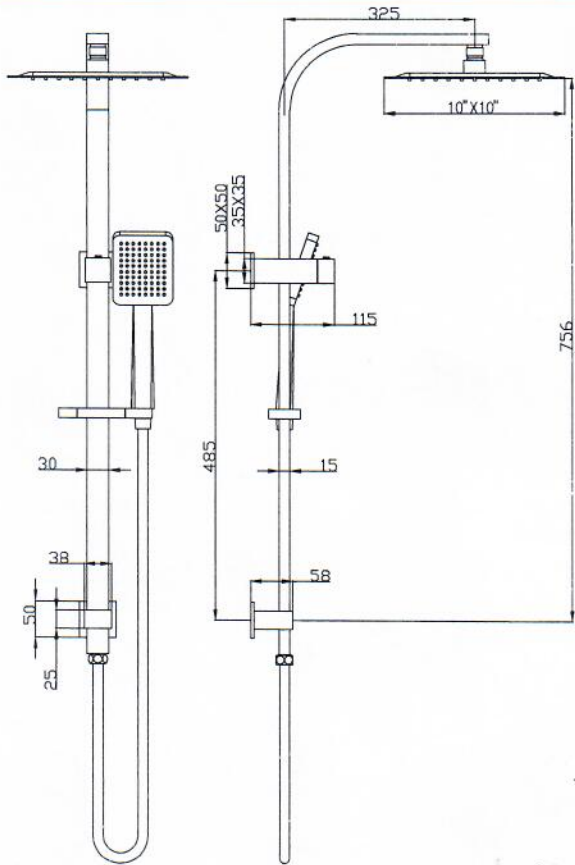


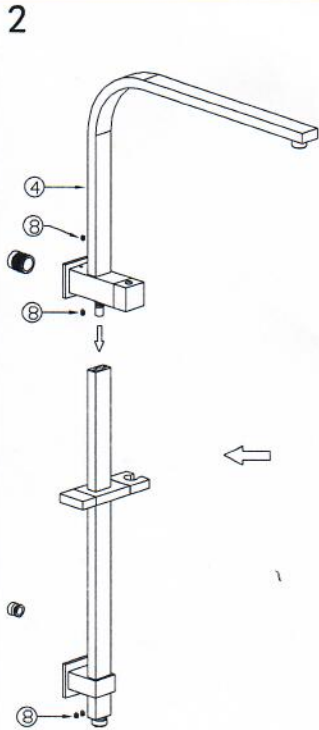
INSTALLATION MANUAL



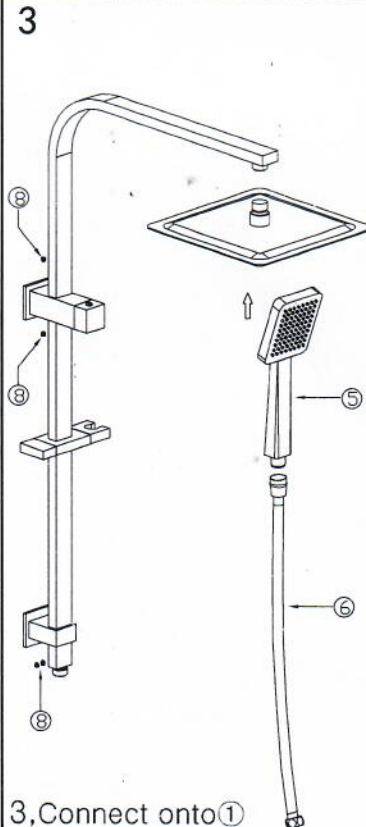
NO	Name	QTY
1	Mounting Plate	1
2	Decoration Cover	1
3	Body	1
4	Top Tube	1
5	Hand Shower	1
6	Hand Shower Hose	1
7	Shower Head	1
8	M5 Screw	4



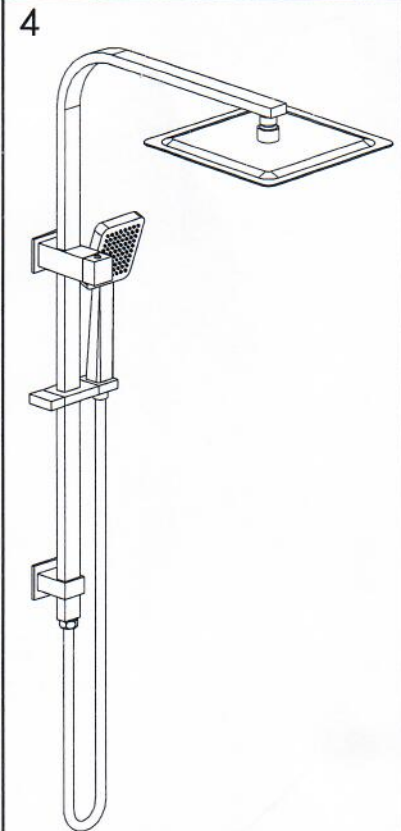
1, Fix ① and ② on the wall.



2, Put ④ into ③, use screws ⑧ to tighten it.



3, Connect onto ① and ②, use screws ⑧ to tighten it.



4, Connect ⑤, ⑥ to the body. Install ⑦ on the top.