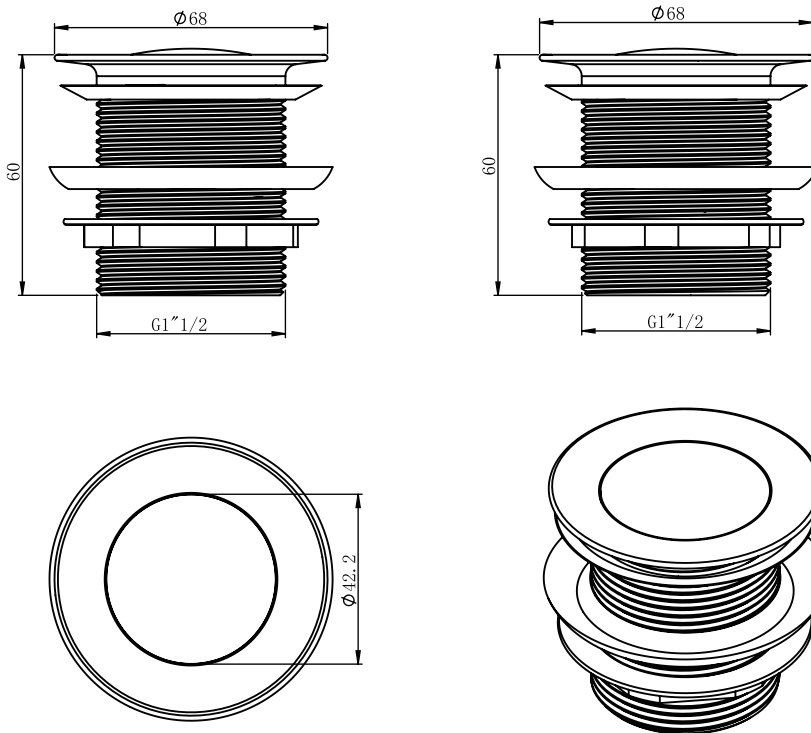


# BELAVISTA®

## Corby Bath Pop-Up Waste

Product Code: PU-X-BTH



### FEATURES

- Solid Brass

### FINISHES AVAILABLE



Matt  
Black

### POP UP WASTE MAINTENANCE

- The supplied pop up has a high-quality finish which needs to be treated with care to maintain and preserve its visible surfaces.
- All surfaces are prone to wear and marks if not correctly cleaned and maintained.
- The recommended / safest way to clean your pop up is to wipe over with a soft damp cloth.
- If your pop up has any minor stains, these can be removed by using a small amount of dish washing liquid with a soft damp cloth.
- It is important to note, all cleaning powders and liquids (even no-scratch cleaners) will create damage to your pop up and will void your warranty.

### CARE & MAINTENANCE

- Please inspect product for any defects prior to installation.
- Clean using a mild detergent and warm water, rinse and dry with a soft cloth.
- Do not use harsh detergents, citrus based cleaners, or abrasive cleaners on this product.
- Any form of tools will damage this product, do not apply directly to product.
- Do not use acid based cleaning products on this product.
- Refer to the installation manual for correct installation.



Proudly designed by Bella Vista in Australia

[www.bella-vista.au](http://www.bella-vista.au) Email: [sales@bella-vista.net.au](mailto:sales@bella-vista.net.au)

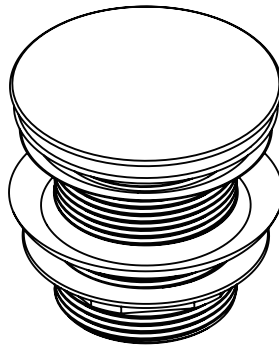
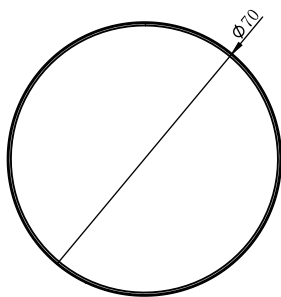
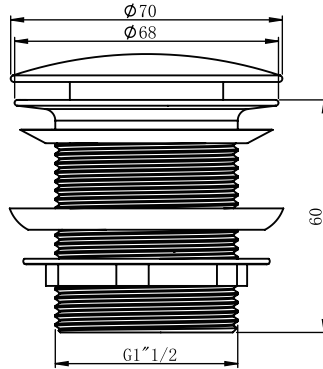
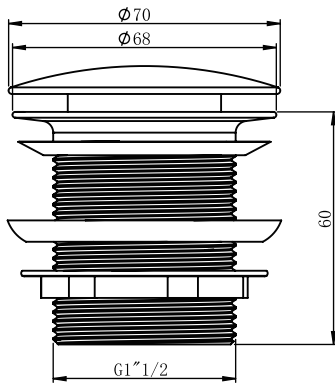
For product manual, warranty or terms and conditions, Please visit our website.

Thank you for choosing Bella-vista.

# BELLAVISTA®

## Corby Bath Pop-Up Waste

Product Code: PU-X-BTH



### FEATURES

- Solid Brass

### FINISHES AVAILABLE



### POP UP WASTE MAINTENANCE

- The supplied pop up has a high-quality finish which needs to be treated with care to maintain and preserve its visible surfaces.
- All surfaces are prone to wear and marks if not correctly cleaned and maintained.
- The recommended / safest way to clean your pop up is to wipe over with a soft damp cloth.
- If your pop up has any minor stains, these can be removed by using a small amount of dish washing liquid with a soft damp cloth.
- It is important to note, all cleaning powders and liquids (even no-scratch cleaners) will create damage to your pop up and will void your warranty.

### CARE & MAINTENANCE

- Please inspect product for any defects prior to installation.
- Clean using a mild detergent and warm water, rinse and dry with a soft cloth.
- Do not use harsh detergents, citrus based cleaners, or abrasive cleaners on this product.
- Any form of tools will damage this product, do not apply directly to product.
- Do not use acid based cleaning products on this product.
- Refer to the installation manual for correct installation.



Proudly designed by Bella Vista in Australia

[www.bella-vista.au](http://www.bella-vista.au) Email: [sales@bella-vista.net.au](mailto:sales@bella-vista.net.au)

For product manual, warranty or terms and conditions, Please visit our website.

Thank you for choosing Bella-vista.