

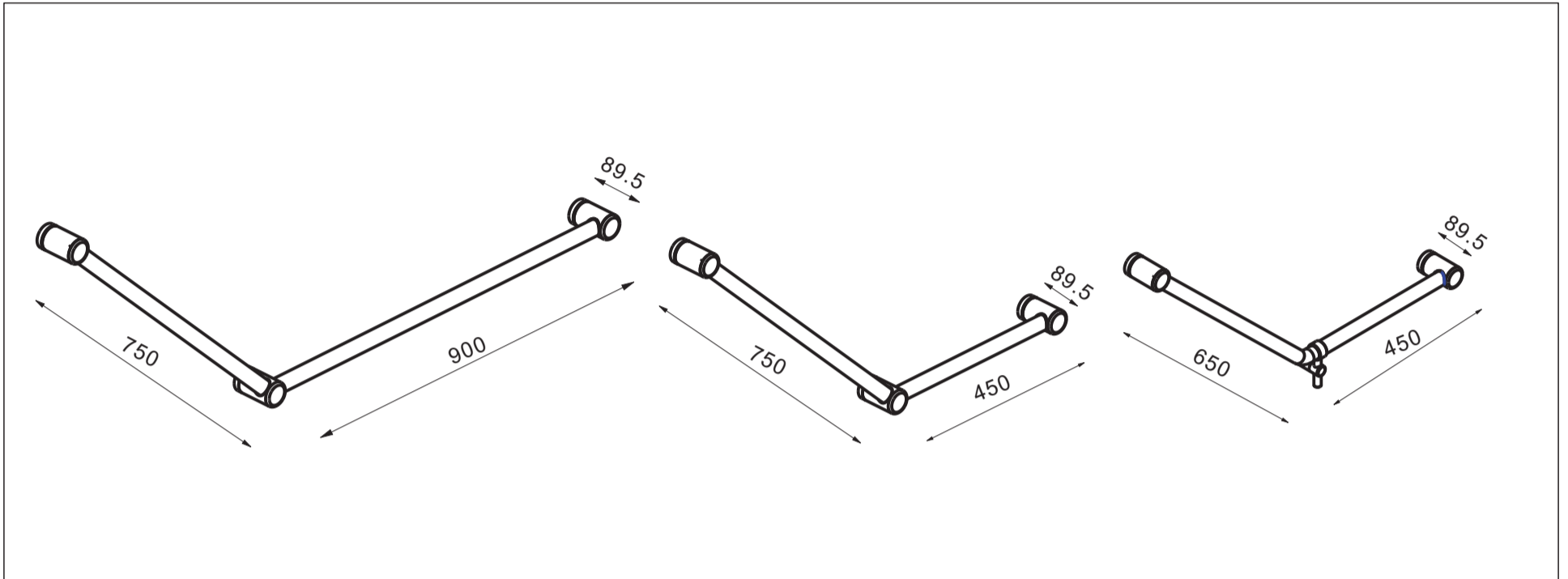
# BELAVISTA

Scan for installation Guides

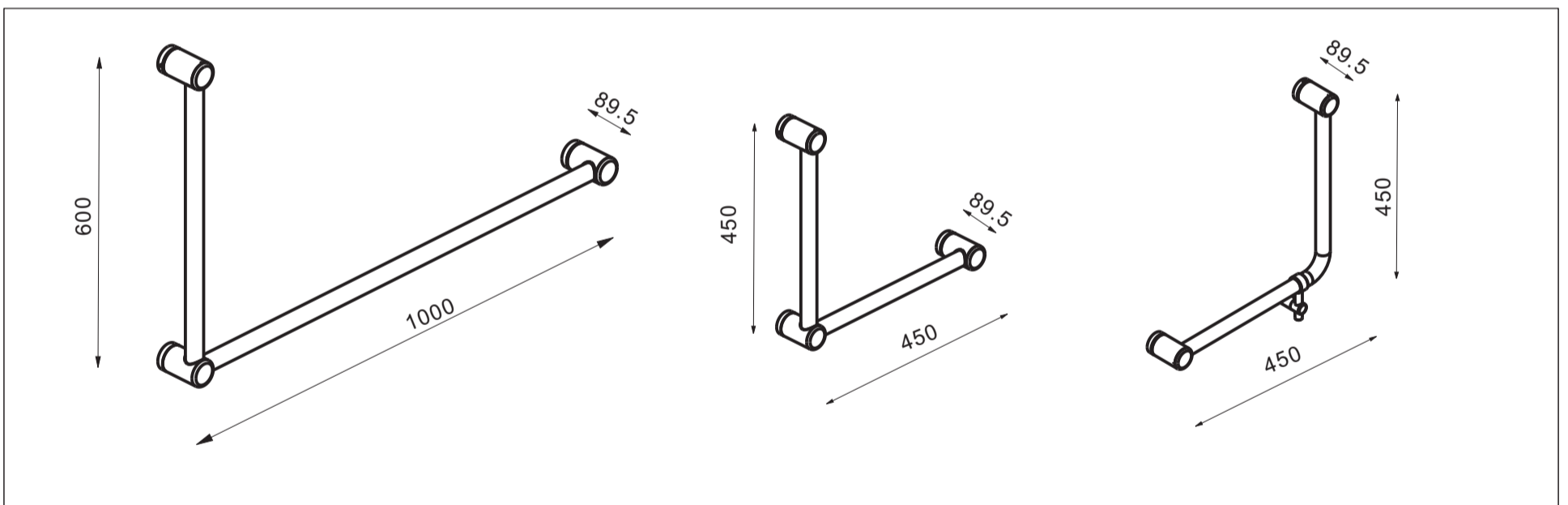


Item No :  
V-1 (4824) K.S

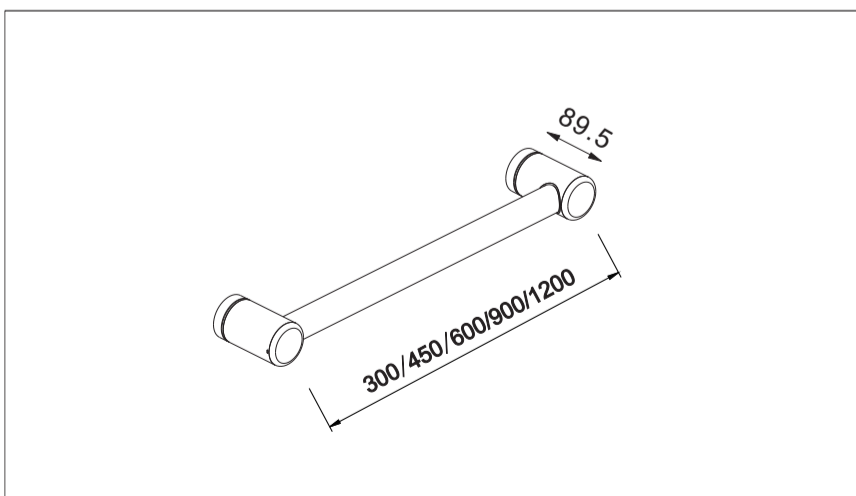
## Horizontal /Angled 45 Degree



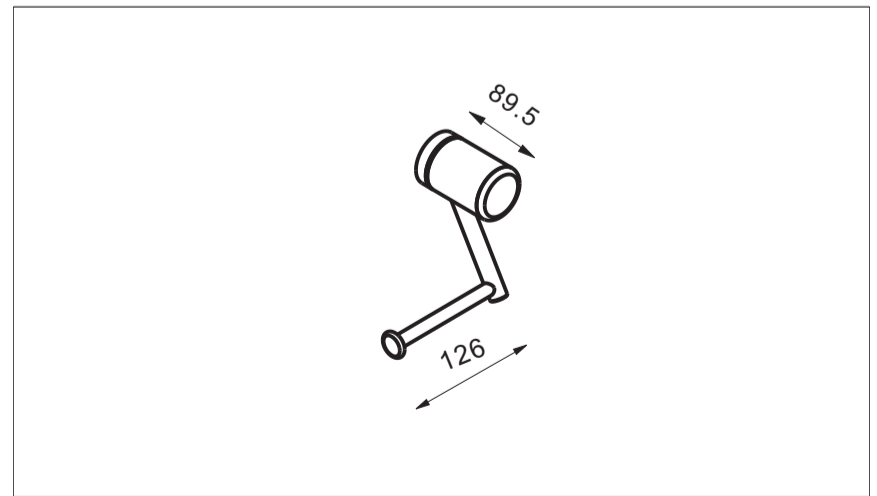
## Horizontal/Vertical 90 Degree



## Horizontal

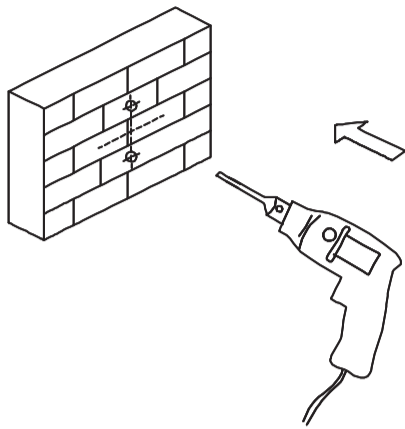


## Roll Holder

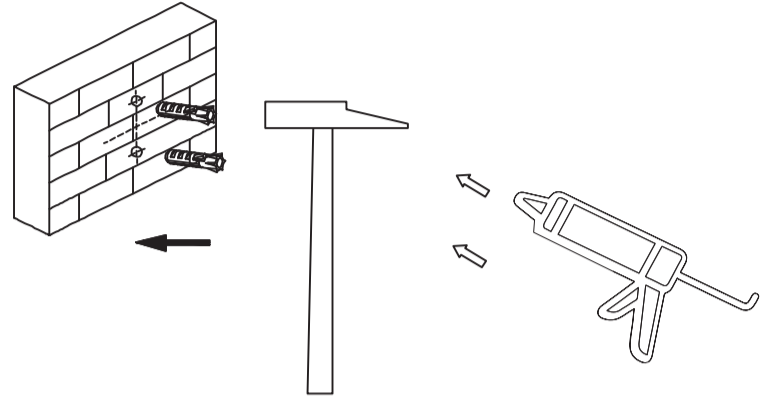


Note : 32 mm tube can be cut to size if required

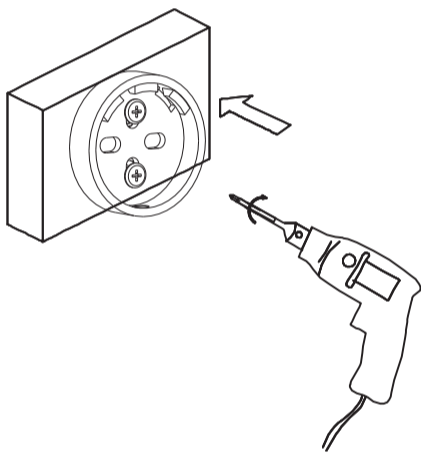
Step 1: Drill hole



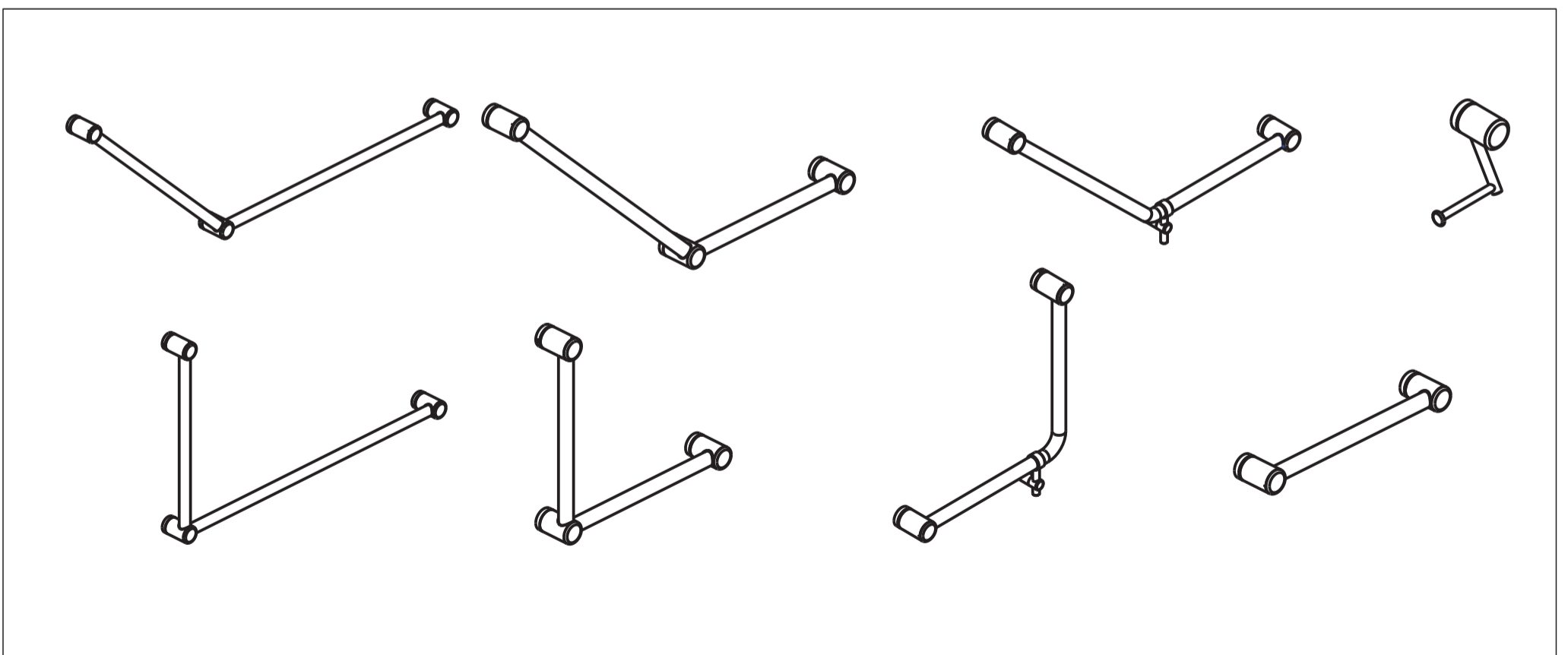
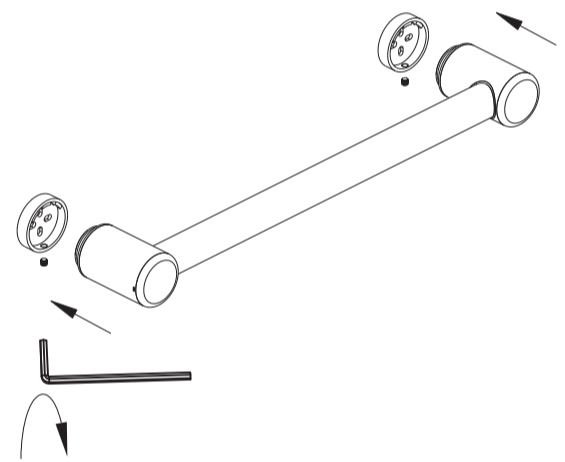
Step 2 : Pump silicon in the hole drilled, trim the plug length if you screwing into a timber stud or nogging



Step 3 :Mount wall fitting/anchor



Step 4 : Connect the rail onto the wall fitting/anchor and tighten



Thank you for choosing Bella Vista