

BELLAVISTA®

SPECIFICATIONS

Elysia LH

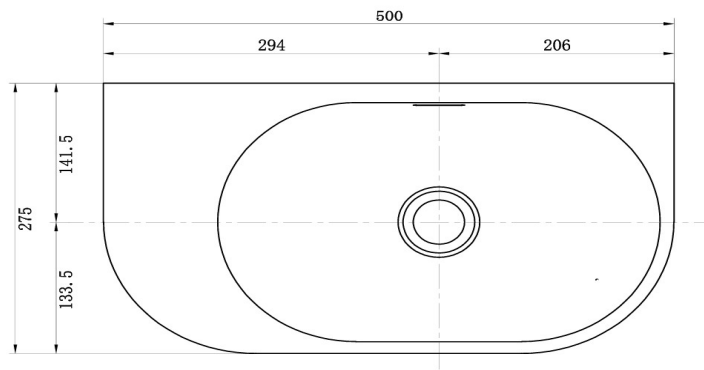
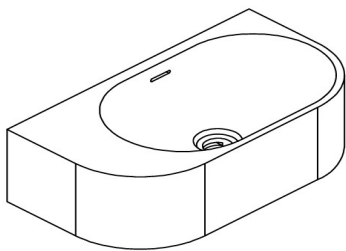
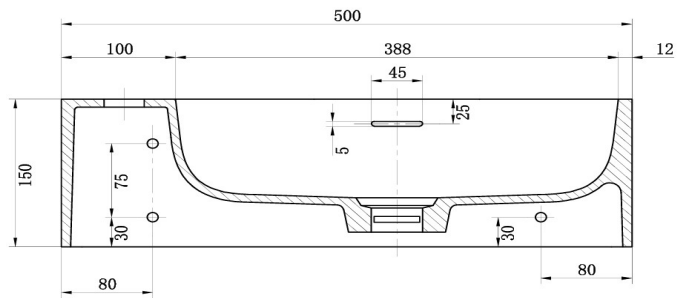
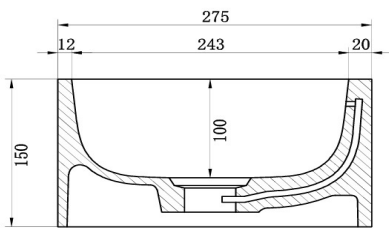
Wall Hung

500 x 275 x 150mm

Water Capacity 5.1 Litres

Solid Surface

Overflow suitbale for
6 Star Rated tapware



WWW.BELLA-VISTA.AU

While we aim to provide correct specifications, Bella Vista reserves the right to make modifications without prior notice. Size and colour may vary from image shown. All measurements are shown in millimetres. Please allow for a +/- 10 mm tolerance for variances. Always use the physical product measurements for mark ups and roughing in. Technical drawings may differ from products received.